

FEATURES

- 4 MODELS for horizontal above-the-ceiling installation, in 2- and 4-pipe systems.
- HIGH PRESSURE They are designed for ductwork installations with external static pressure up to 250 Pa.
- STRUCTURE made of galvanised steel, insulated inside, designed in three different and independent sections (drain pan, fan deck and filter), in order to simplify the maintenance operations.
- COIL with 3 and 4 rows, with copper tubes and aluminium fins. Models 100, 200 and 300 have coils provided with air vents. For model 400 the air vent is on the valve kit (optional).
- REVERSIBLE WATER CONNECTIONS Each unit can be supplied with either right hand connections (standard) or left hand connections. Anyway the connections can be reversed on site.
- FAN DECK with 3-speed motor and two centrifugal impellers made of galvanised steel.
It is supplied complete with permanent split capacitor and auto reset thermal overload protection.
- DRAIN PAN made of galvanised steel with drain connections on both sides.
- AIR FILTER made of washable polyester acrylic fibre, pleated and protected by a wire mesh. It can be easily pulled out. Filtration class G4.
- ELECTRICAL CONNECTIONS with a terminal strip inside a safety box (IP30), made of ABS.
Models 300 and 400 are also provided with a relay for the connection to the power supply of the motor.
- 4 BRACKETS supplied together with the unit, in order to fix the unit on the ceiling.

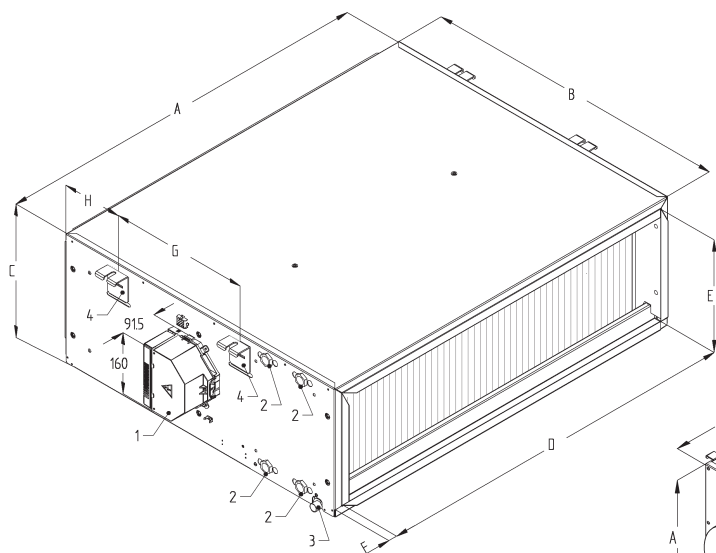


ACCESSORIES

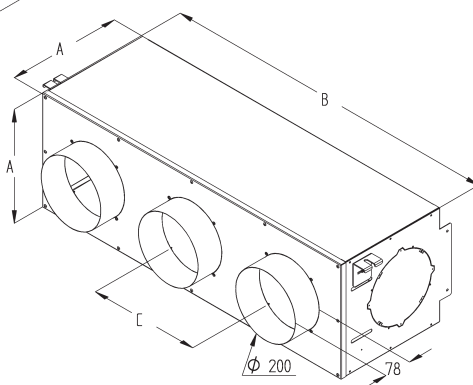
- ADDITIONAL COILS for hot water with 2 or 3 rows, for units to be installed in 4-pipe systems. Therefore each unit can be supplied with a maximum of 7 rows (4+3).
- VALVE KIT 3-way 4-port regulating valves, with either ON/OFF or modulating actuators, for 2- and 4-pipe systems, provided with copper connection kit. Supplied loose.
- ELECTRIC HEATER It is an additional section to be mounted on the air outlet, and it is provided with all necessary safety thermostats. The heating capacity is between 3,0 kW and 9,0 kW, in accordance with the air flow of each model. Supplied loose.
- CONDENSATE PUMP with 6 m maximum head. Supplied loose.
- REGULATING SYSTEMS The whole range of EURAPO regulators is available: fan speed selectors, electro-mechanical controllers, electronic controllers with microprocessor, digital regulators, with a centralized supervision system communicating via Bus based on standard protocols. For more information please either refer to the specific EURAPO technical literature or visit the official web site www.eurapo.it.
- AIR DELIVERY PLENUM with several frontal spigots; on site, it is also possible to move either one or two spigots on the side of the plenum. Supplied loose.
- SPECIAL FILTER made of washable polyester acrylic fibre. Filtration class F5.
- PAINT RAL9003, with oven dried epoxy powders.
All RAL colours are available, with some possible delays in delivery time.



STANDARD TECHNICAL DATA WITH EXTERNAL STATIC PRESSURE OF 50 Pa



MOD	100	200	300	400
A	989.6	989.6	1239.6	1633.0
B	800.0	800.0	900.0	900.0
C	331.0	331.0	350.0	439.3
D	948.6	948.6	1198.6	1592.0
E	290.0	290.0	309.0	398.3
F	21.5	21.5	21.5	21.5
G	362.0	362.0	462.0	450.0
H	158.0	158.0	158.0	158.0
KG.	47	49	64	85



MOD	100-200	300	400
A	331.0	350.0	439.3
B	996.6	1246.6	1640.0
C	324.5	300.0	319.8
Spigots	3	4	5

Models	EBH	130	140	230	240	330	340	430	440
Total cooling capacity [kW]	(1) MAX	6,19	7,12	9,08	10,93	11,48	14,48	18,40	24,01
	MED	5,29	5,98	7,49	8,81	9,68	11,93	16,76	21,58
	MIN	3,32	3,60	6,26	7,22	7,74	9,27	14,83	18,75
Heating capacity [kW]	(2) MAX	7,90	8,90	12,34	14,62	15,20	18,84	24,38	30,36
	MED	6,61	7,32	9,84	11,36	12,49	15,07	21,83	26,79
	MIN	3,96	4,20	8,01	9,04	9,71	11,33	18,90	22,77
Air flow [m ³ /h]	MAX	1153	1130	2158	2116	2639	2587	4129	4048
	MED	916	898	1553	1523	1994	1955	3505	3436
	MIN	494	484	1174	1151	1422	1394	2853	2797
Maximum external static pressure available [Pa]		100	100	175	175	250	250	250	250
Sound pressure level [dB(A)]	MAX	56	56	60	60	60	60	67	67
	MED	51	51	54	54	54	54	64	64
	MIN	41	41	49	49	48	48	59	59
Power supply [V-ph-Hz]	(3)	230-1-50							
Water connections		G 1/2" F						G 1" F	

(1) Indoor temperature: 27 °C d.b., 48% Humid. - Water temperature: 7/12 °C.

(2) Indoor temperature: 20 °C, 50% Humid. - Inlet water temperature: 50 °C - Water flow values as cooling mode, accordingly to the EUROVENT standards and UNI ENV 1397.

(3) Sound pressure level measured in open space at 1 m distance from the unit and with 0 Pa of external static pressure.

EURAPO



Via A. Malignani, 12 · Z. I. Vallenoncello
33170 Pordenone · Italy
Tel. ++39 0434 572552 · Fax ++39 0434 28667
www.eurapo.it · e-mail: info@eurapo.it